

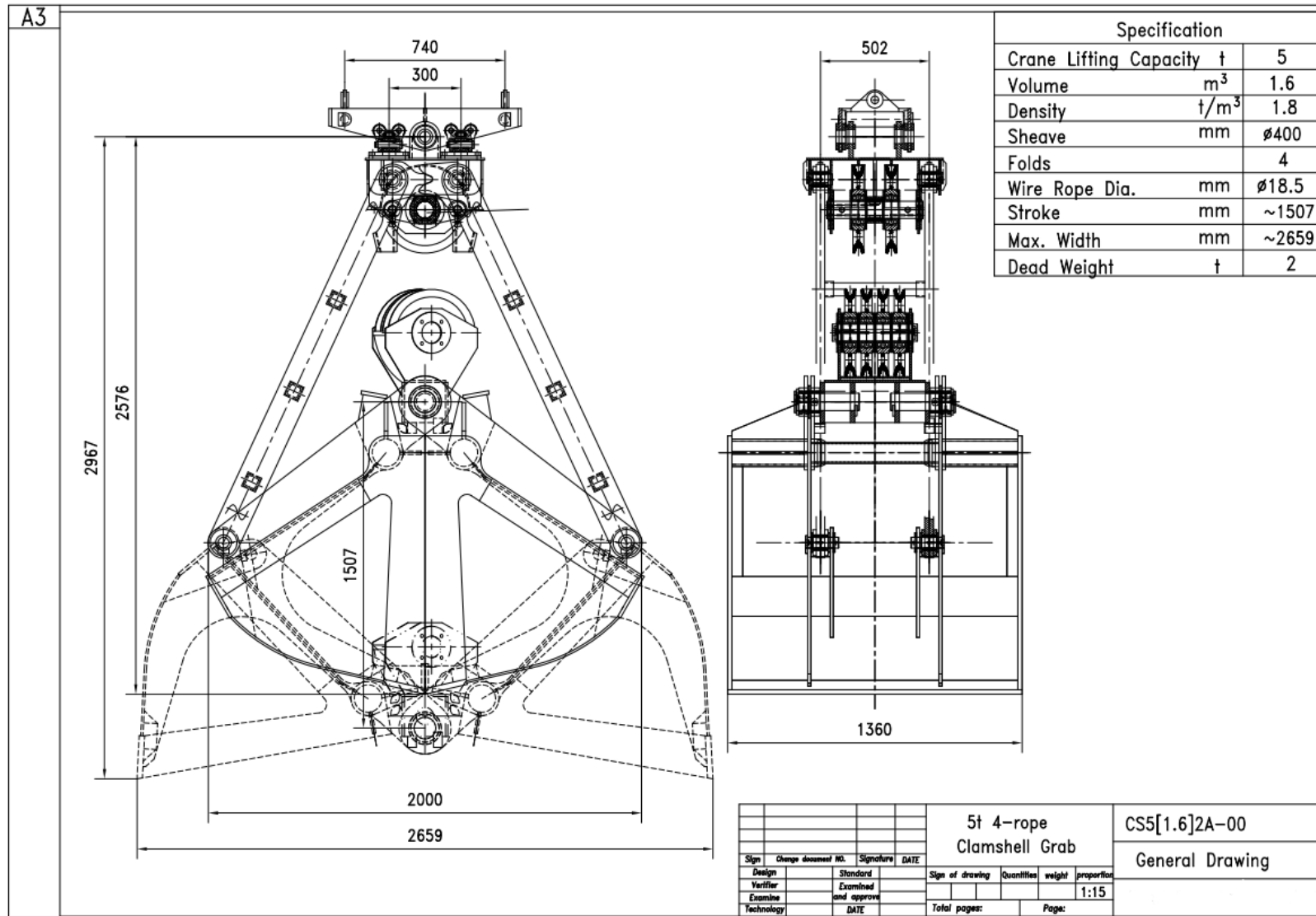


**Different Grabs  
made in accordance with the customer's order**

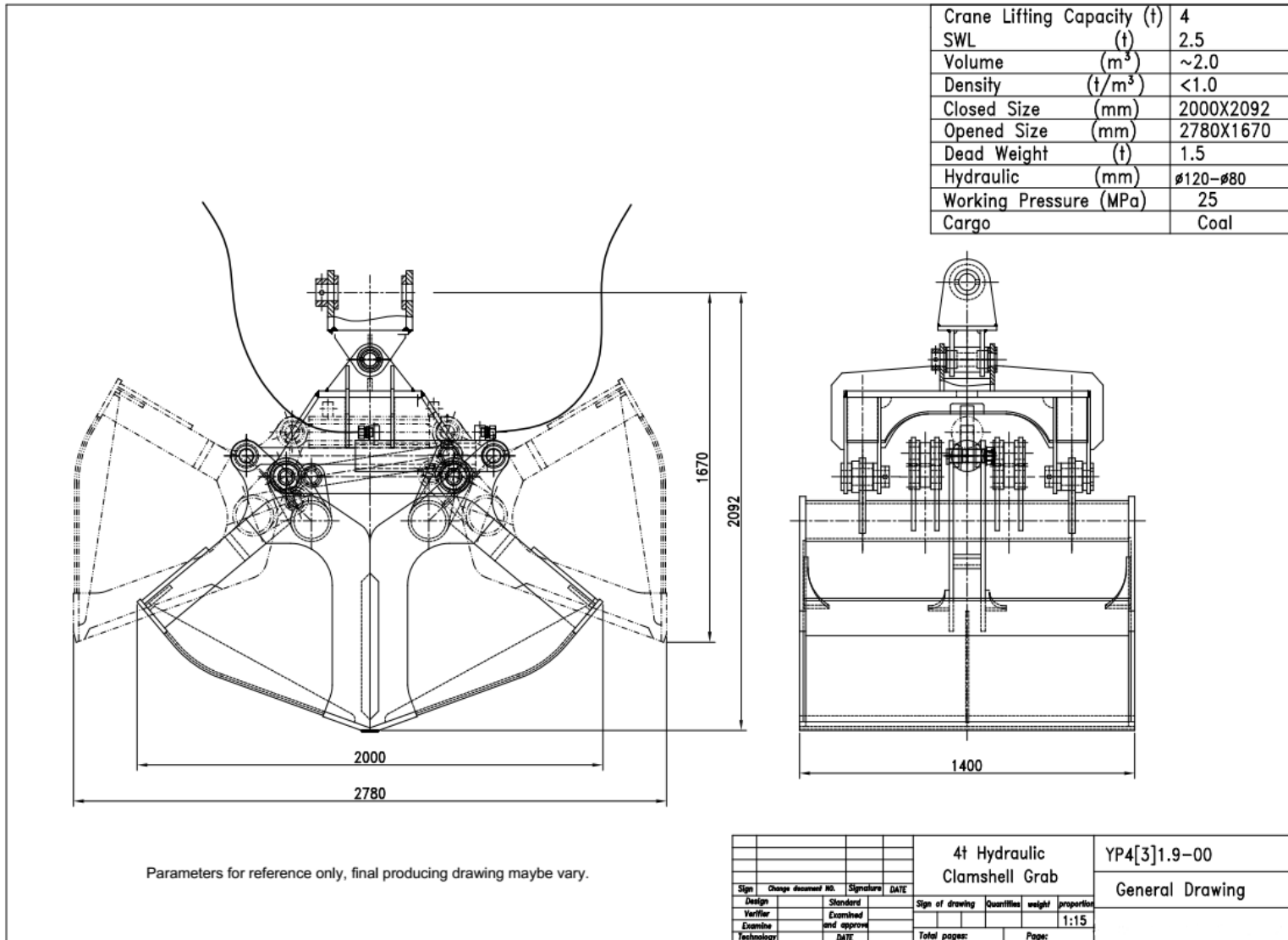
# Product sample: Hydraulic Orange Peel Grab with turning device



# 5 Tn 4-rope Clamshell Grab - Sample drawing



# 4-t Hydraulic Clamshell Grab - Sample drawing



# 20-t Motor-Hydraulic Clamshell Grab - Sample drawing



Crane Capacity (T)	20
Grab SWL (T)	11.2
Grab Volume (m3)	8-13
Piled Density (t/m3)	0.4-1.4
Opening Dimension	3857X3450X3330 mm
Closing Dimension	4205X2900X3330 mm
Dead Weight (T)	8.8
Motor	Power 37kW Voltage 380V/50Hz
Pump	Working Pressure 22MPa
Opening Time (s)	~14
Closing Time (s)	~20

Drawing for reference only, final producing drawing maybe vary.

				20t Motor- Hydraulic Chamshell Grab		DYP20[8-13]8.8-00	
				General Drawing			
Sign	Change document NO.	Signature	DATE	Sign of drawing	Quantities	weight	proportion
Design							1:30
Verifier		Examined and approve					
Examine		DATE		Total pages:		Page:	
Technology							

# Multi-shell grab from production Mai 2017



Thank you for your time!  
Questions?



May we prepare an offer for you ?

Ain Adamson  
Chairman

Okeanos LC OÜ

Võru 15A, 50111 Tartu, Estonia

Tel: +372 5120470

[ain.adamson@okeanos.ee](mailto:ain.adamson@okeanos.ee)