



# **Elektrilised tõstukid ning liftid 2017**

**Komplekteeritud / valmistatud vastavalt tellija soovile**

# Alumiiniumsulamist tõstuk 1 (4)



## Alumiiniumsulamist tõstuk 2 (4)



# Alumiiniumsulamist teleskooptõstuk 3 (4)



# Alumiiniumsulamist teleskooptõstuk 4 (4)



Model	(m)	R×H	Capacity	Platform	Voltage	Motor power	Total weight	shape
GTWY4-100	4	5.7	125	0.64 × 0.58	AC220/50HZ	0.75	250	1.18 × 0.80 × 1.65
GTWY6-100	6	7.7	125	0.64 × 0.58	AC220/50HZ	0.75	280	1.28 × 0.80 × 1.65
GTWY8-100	8	9.7	125	0.64 × 0.58	AC220/50HZ	0.75	300	1.28 × 0.80 × 1.98
GTWY9-100	9	10.7	125	0.64 × 0.58	AC220/50HZ	0.75	320	1.36 × 0.85 × 1.98
GTWY6-200S	6	7.7	200	1.16 × 0.60	AC220/50HZ	1.1	450	1.36 × 0.85 × 1.65
GTWY8-200S	8	9.7	200	1.32 × 0.60	AC220/50HZ	1.1	550	1.36 × 0.85 × 1.98
GTWY9-200S	9	10.7	200	1.32 × 0.60	AC220/50HZ	1.1	600	1.56 × 0.90 × 1.98
GTWY10-200S	10	11.7	200	1.32 × 0.60	AC220/50HZ	1.1	650	1.56 × 0.90 × 2.04
GTWY11-200S	11	12.7	200	1.32 × 0.60	AC220/50HZ	1.1	680	1.56 × 0.90 × 2.04
GTWY12-200S	12	13.7	200	1.42 × 0.60	AC220/50HZ	1.1	700	1.66 × 0.97 × 1.98
GTWY13-250S	13	14.7	200	1.56 × 0.80	AC220/50HZ	2.2	1000	1.69 × 1.13 × 2.28
GTWY14-200S	14	15.7	200	1.56 × 0.82	AC220/50HZ	2.2	1100	1.69 × 1.13 × 2.48
GTWY16-200S	16	17.7	200	1.60 × 0.82	AC220/50HZ	2.2	1400	1.80 × 1.15 × 2.48
GTWY18-150S	18	19.7	150	1.48 × 0.80	AC220/50HZ	2.2/1.1	1600	2.26 × 1.30 × 2.45

# Hüdrauliline silindertõstuk 1 (2)



Model	R x H	shape	Platform	Capacity	lifting Velocity	Voltage	Motor power	Total weight
GTTY-6A	6	1.02 x 0.92 x 1.8	0.75 x 0.75	200	0.054	220	1.1	480
GTTY-8A	8	1.16 x 0.92 x 2.05	0.8 x 0.8	200	0.044	220	1.1	580
GTTY-10A	10	1.16 x 1 x 2.17	0.8 x 0.8	200	0.04	220	1.1	650
GTTY-12A	12	1.4 x 1.23 x 2.23	0.8 x 0.8	200	0.03	220	1.1	900
GTTY-14A	14	1.4 x 1.23 x 2.3	0.8 x 0.8	200	0.028	220	1.1	1075
GTTY-15A	15	1.4 x 1.23 x 2.4	0.8 x 0.8	200	0.026	220	1.1	1200

## Hüdrauliline silindertõstuk 2 (2)



Model	R×H	shape	Platform	Capacity	lifting Velocity	Voltage	Motor power	Total weight
GTTY-16B	16	1.68 × 1.39 × 2.3	0.8 × 0.8	200	0.026	220	1.5	1350
GTTY-18B	18	1.78 × 1.47 × 2.6	0.8 × 0.8	200	0.026	220	1.5	1430
GTTY-20B	20	1.78 × 1.56 × 2.7	0.8 × 0.8	150	0.042	220	1.5	1650
GTTY-21B	21	1.78 × 1.56 × 2.8	0.8 × 0.8	150	0.04	220	1.5	1700
GTTY-22B	22	1.97 × 1.65 × 2.8	0.8 × 0.8	150	0.035	220	1.5	1850
GTTY-23B	23	1.97 × 1.65 × 2.9	0.8 × 0.8	150	0.03	220	1.5	2000
GTTY-24B	24	1.97 × 1.65 × 3.0	0.8 × 0.8	150	0.043	220	1.5	2200
GTTY-25B	25	2.05 × 1.75 × 3.05	0.8 × 0.8	150	0.042	220	1.1*2	2350
GTTY-26B	26	2.05 × 1.75 × 3.20	0.8 × 0.8	150	0.04	220	1.1*2	2450
GTTY-28B	28	2.20 × 1.80 × 3.05	0.8 × 0.8	120	0.034	220	1.1*2	2500
GTTY-30B	30	2.25 × 1.90 × 3.20	0.85 × 0.85	120	0.034	220	1.1*2	2800

# Käärtõstuk 1 (3)





## Käärtõstuk 2 (3)



- AC 380V (standard configuration)
- AC 220V (optional, 11 meters below the machine)
- DC power supply (optional)
- Explosion – proof mining choice (DIIBT4) of Suitable for a variety of explosion – proof occasions demand Petrochemical, paint, dust, etc.
- Manual power (optional)
- Manual / power dual–use (optional)
- Platform epitaxy (optional)



## Käärtõstuk 3 (3)



Model	Capacity	R × H	M × H	Platform	Rise time	Motor power	Voltage	Total weight
SJY0.3-3	300	3000	1000	1300 × 850	16	1.5	380v/50hz	400
SJY0.48-3	480	3000	1000	1300 × 850	16	1.5	380v/50hz	420
SJY0.3-4.5	300	4500	1100	1300 × 850	31	1.5	380v/50hz	450
SJY0.48-4.5	480	4500	1100	1300 × 850	31	1.5	380v/50hz	470
SJY0.3-6	300	6000	1100	1800 × 900	54	1.5	380v/50hz	700
SJY0.48-6	480	6000	1100	1800 × 900	49	1.5	380v/50hz	740
SJY0.3-7.5	300	7500	1200	1800 × 1000	62	2.2	380v/50hz	800
SJY0.48-7.5	480	7500	1200	1800 × 1000	62	2.2	380v/50hz	850
SJY0.3-9	300	9000	1350	1800 × 1000	72	2.2	380v/50hz	950
SJY0.48-9	480	9000	1580	1800 × 1000	81	2.2	380v/50hz	1000
SJY0.3-11	300	11000	1600	2100 × 1150	73	3	380v/50hz	1200
SJY0.48-11	480	11000	1600	2100 × 1150	80	3	380v/50hz	1350
SJY0.3-12	300	12000	1720	2450 × 1350	85	3	380v/50hz	1500
SJY0.48-12	480	12000	1720	2450 × 1350	90	3	380v/50hz	1600
SJY0.3-14	300	14000	1900	2450 × 1350	98	4	380v/50hz	2200
SJY0.3-16	300	16000	1950	2500 × 1500	130	5.5	380v/50hz	2600

Model	Capacity	R × H	M × H	Platform	Rise time	Motor power	Voltage	Total weight
SJY1-6	1000	6000	1300	1800 × 1100	50	3	380v/50hz	1200
SJY1-9	1000	9000	1800	2450 × 1350	90	4	380v/50hz	2200
SJY1-11	1000	11000	1800	2400 × 1500	90	4	380v/50hz	2400
SJY1-14	1000	14000	1800	2450 × 1350	95	4	380v/50hz	2600

## Liigutatav käärtõstuk 1 (2)



- drive wheels walk no manual towing
- large capacity battery as power source, to ensure long time work
- The governor plate system adopt U.S. import, to ensure that the workplace is infallible
- Design the battery blackout emergency lowering system, to ensure security of the job staff

## Liigutatav käärtõstuk 2 (2)



Model	Capacity	R × H	Platform	Rise time	Voltage	Motor power	Drive speed	Total weight
SJZ0.3-6	300	6000	1850 × 880	54	DC-24V	2.2	0-6.5	1220
SJZ0.48-6	480	6000	1850 × 880	49	DC-24V	2.2	0-6.5	1250
SJZ0.3-7.5	300	7500	1800 × 1000	62	DC-24V	2.2	0-6.5	1300
SJZ0.48-7.5	480	7500	1800 × 1000	65	DC-24V	2.2	0-6.5	1350
SJZ0.3-9	300	9000	1850 × 1000	78	DC-24V	3	0-6.5	1400
SJZ0.48-9	480	9000	1800 × 1000	82	DC-24V	3	0-6.5	1460
SJZ0.3-11	300	11000	2100 × 1150	88	DC-24V	3	0-6.5	1500
SJZ0.48-11	480	11000	2100 × 1150	92	DC-24V	3	0-6.5	1550
SJZ0.3-12	300	12000	2450 × 1350	98	DC-48V	3	0-5	1950
SJZ0.48-12	480	12000	2450 × 1350	102	DC-48V	3	0-5	2100
SJZ0.3-14	300	14000	2450 × 1350	110	DC-48V	4	0-5	2600
SJZ0.48-14	480	14000	2450 × 1350	118	DC-48V	4	0-5	2680
SJZ0.3-16	300	16000	2750 × 1500	130	DC-48V	4	0-5	3400
SJZ1-9	1000	9000	2000 × 1000	90	DC-48V	3	0-5	2100
SJZ1-11	1000	11000	2200 × 1200	110	DC-48V	4	0-5	2400

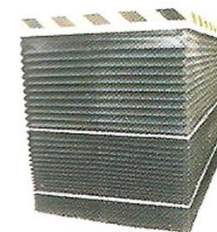
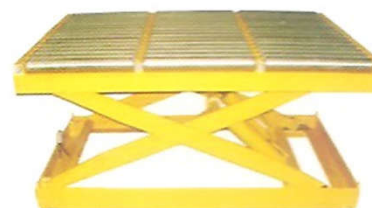
# Transpordivahendi käärtõstuk 1 (2)



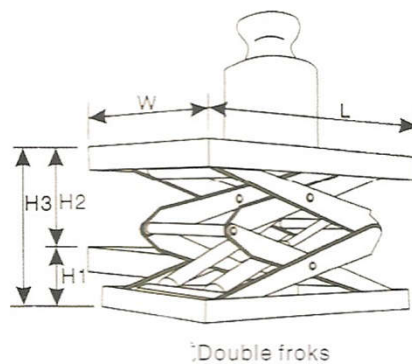
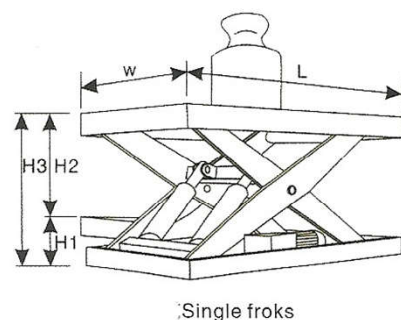
Vehicular aerial work platform is by lifting platform and storage battery or car modified Aerial work platform equipment . Lifting platform using dc or engine power drive vehicle Lifting platform . Walking function of the vehicle, make the lifting platform has better flexibility and machine Of movement, make the aerial work more efficient, able to adapt to wide area, large liquidity Aerial work.



# Statsionaarsed hüdraulilised tõstukid 1 (5)



# Statsionaarsed hüdraulilised tõstukid 2 (5)



Type	Model	Capacity	H1	Drive speed	H3	L x W	Rise time	Motor power	Total weight
Single Fork	SJG0.9-0.5	0.9	180	500	680	1220 x 700	15	0.75	400
	SJG0.9-0.85	0.9	180	850	1030	1220 x 700	16	0.85	400
	SJG1-0.97	1	230	970	1200	1500 x 700	19	1.5	450
	SJG1.5-1.2	1.5	230	1200	1430	1680 x 1000	31	1.5	600
	SJG2-0.9	2	220	900	1120	1300 x 1000	31	1.5	500
	SJG2.65-0.85	2.65	230	850	1080	1400 x 1000	32	1.5	520
	SJG2.65-1.2	2.65	230	1200	1430	1680 x 1000	39	3	650
	SJG4.5-1.2	4.5	340	1200	1540	2000 x 1000	56	5.5	1500
	SJG8-0.5	8	480	500	980	2800 x 2000	20	5.5	2500
	SJG40-0.5	40	830	500	1330	3500 x 1800	17	22	5500
	SJG2-1.2	2	230	1200	1430	2000 x 1500	26	3	1200
	SJG2.24-1.5	2.24	230	1500	1730	2440 x 1800	41	3	1400
	SJG2.5-2	2.5	410	2000	2410	3200 x 2500	56	3	2300
	SJG3-1.2	3	240	1200	1440	1800 x 1800	40	3	1100
	SJG3-1.7	3	450	1700	2150	3800 x 1800	55	2.2	2400
	SJG4.5-1.5	4.5	410	1500	1910	2500 x 1500	50	3	1600
	SJG7-1.5	7	410	1500	1910	2600 x 1500	48	5.5	2410
	SJG10-1.6	10	600	1600	2200	3500 x 2200	50	5.5	3700
SJG12-1.8	12	650	1800	2450	4000 x 2200	90	5.5	5200	
Dual Fork	SJG0.5-2.8	0.5	460	2800	3260	2200 x 1000	25	1.5	600
	SJG0.8-1.2	0.8	300	1200	1500	1200 x 1000	16	1.1	420
	SJG1-1.7	1	350	1700	2060	1500 x 1000	28	1.5	600
	SJG1.5-1.2	1.5	340	1200	1540	1500 x 1000	23	3	650
	SJG1.5-2.4	1.5	500	2400	2900	2000 x 1500	25	3	900
	SJG2-1.6	2	400	1600	2000	1500 x 1200	41	1.5	860
	SJG2.5-2	2.5	620	2000	2620	2200 x 1200	40	3	1300
	SJG3-1.2	3	420	1200	1620	1600 x 1600	30	3	1100
	SJG4-2.3	4	660	2300	2960	2200 x 1000	53	5.5	1500
	SJG5-1.5	5	480	1500	1960	1700 x 1000	50	4	1450

# Statsionaarsed hüdraulilised tõstukid 3 (5)

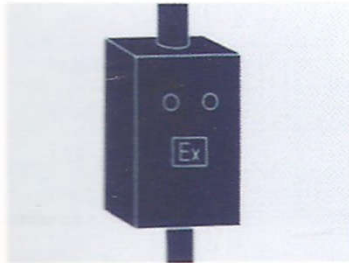




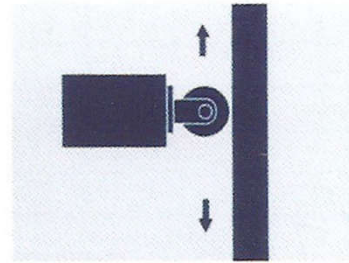
# Statsionaarsed hüdraulilised tõstukid 4 (5)



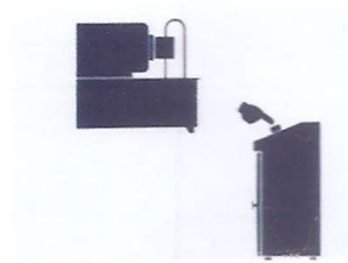
## Optional configuration



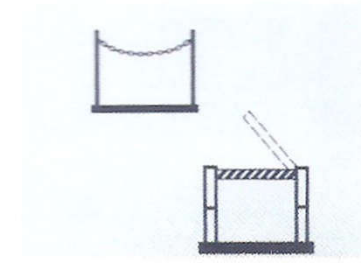
Optional for release work occasions Use of explosion-proof electrical



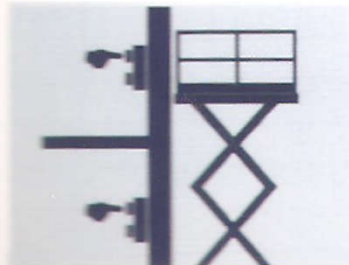
Optional make lifting platform is more stable The guide rail and wheel



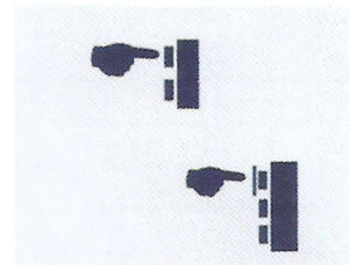
Optional easy to maintain the external Hydraulic power unit



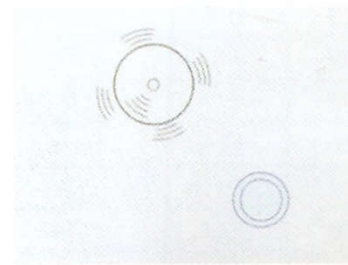
Can be equipped with chains, lever, sliding doors Such as open the door forms



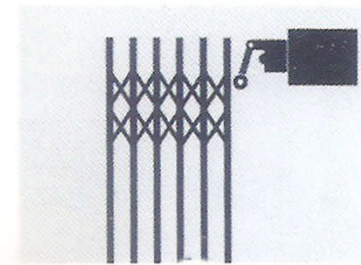
根据需求，可配多点控制  
Based on demand and can be equipped with multi-point control



Optional jog on demand Or self-protection button operation



Optional lifting platform running warning light Or the warning bell



Can configure the outside door open when locked Lifts the safety switch.

# Statsionaarsed hüdraulilised tõstukid 5 (5)





Täname Teid Teie aja eest!

Küsimusi?

Kas saame Teile pakkumise ette valmistada?

Ain Adamson  
Juhatuses liige

Okeanos LC OÜ

Võru 15A, 50111 Tartu, Estonia

Tel: +372 5120470

[ain.adamson@okeanos.ee](mailto:ain.adamson@okeanos.ee)