

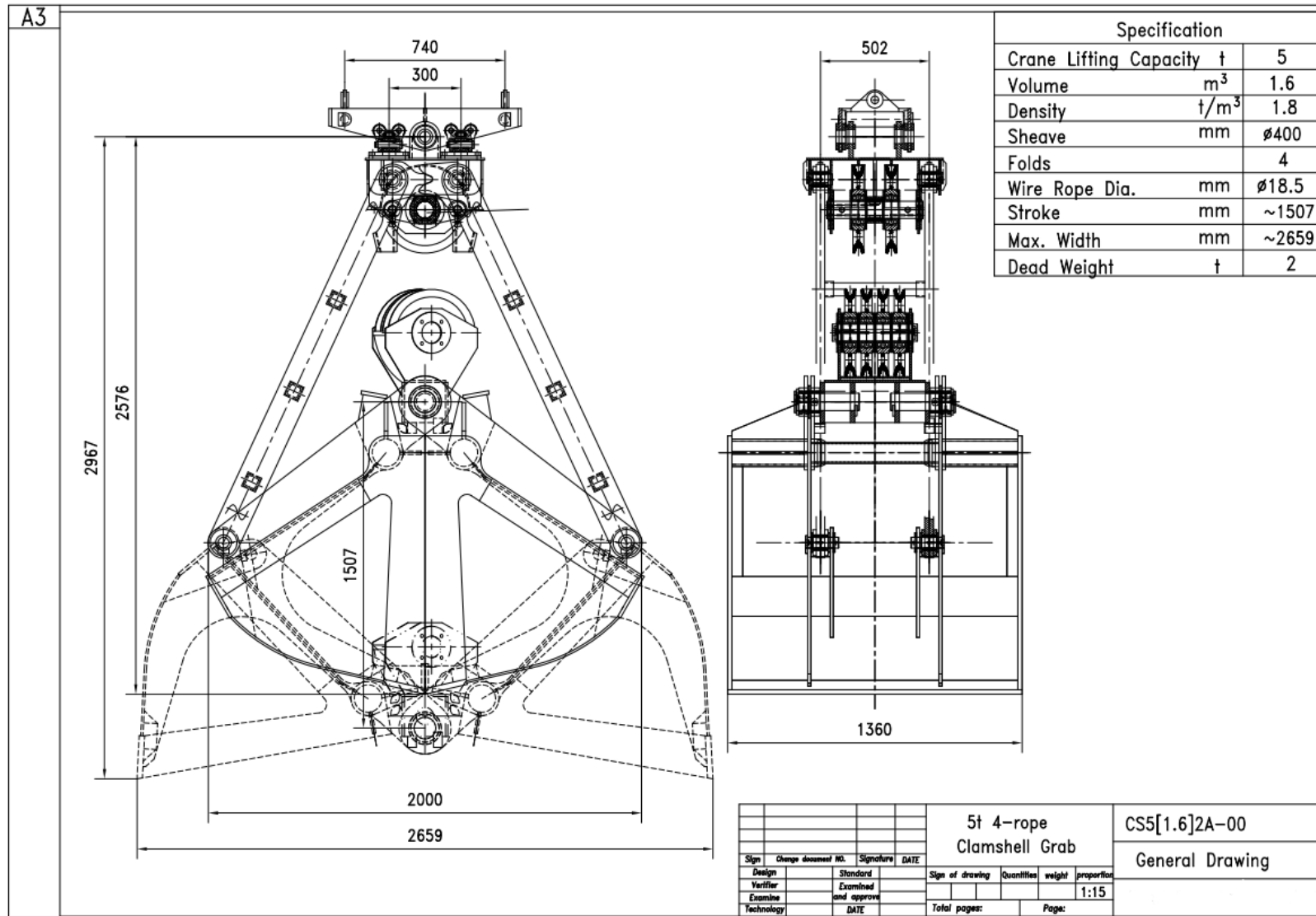


Greiferid
valmistatud kliendi vajaduste järgselt

Tootenäidis: Pöördpeaga hüdrauliline tähtgreifer



5 Tn inertmaterjali greifer - näidisjoonis



4-t hüdrauliline inertmaterjali greifer - näidisjoonis



Crane Lifting Capacity (t)	4
SWL (t)	2.5
Volume (m ³)	~2.0
Density (t/m ³)	<1.0
Closed Size (mm)	2000X2092
Opened Size (mm)	2780X1670
Dead Weight (t)	1.5
Hydraulic (mm)	∅120-∅80
Working Pressure (MPa)	25
Cargo	Coal

Parameters for reference only, final producing drawing maybe vary.

				4t Hydraulic Clamshell Grab		YP4[3]1.9-00	
						General Drawing	
Sign	Change document NO.	Signature	DATE	Sign of drawing	Quantity	weight	proportion
Design		Standard					1:15
Verifier		Examined and approve					
Examine		DATE		Total pages:		Page:	
Technology							

20-t mootoriga hüdrauliline greifer - näidisjoonis



Crane Capacity (T)	20
Grab SWL (T)	11.2
Grab Volume (m3)	8-13
Piled Density (t/m3)	0.4-1.4
Opening Dimension	3857X3450X3330 mm
Closing Dimension	4205X2900X3330 mm
Dead Weight (T)	8.8
Motor	Power 37kW Voltage 380V/50Hz
Pump	Working Pressure 22MPa
Opening Time (s)	~14
Closing Time (s)	~20

Sign	Change document NO.	Signature	DATE
Design			
Verifier		Examined and approve	
Examine		DATE	
Technology			

20t Motor- Hydraulic Chamshell Grab

DYP20[8-13]8.8-00

General Drawing

Sign of drawing Quantities weight proportion

1:30

Total pages: Page:

Drawing for reference only, final producing drawing maybe vary.

Tähtgreiferi tellimuse täitmine Mai 2017





Täname Teie Teie aja eest!
Küsimusi?

Kas saame Teile pakkumise ette valmistada?

Ain Adamson
Juhatuseliige

Okeanos LC OÜ

Võru 15A, 50111 Tartu, Estonia

Tel: +372 5120470

ain.adamson@okeanos.ee